

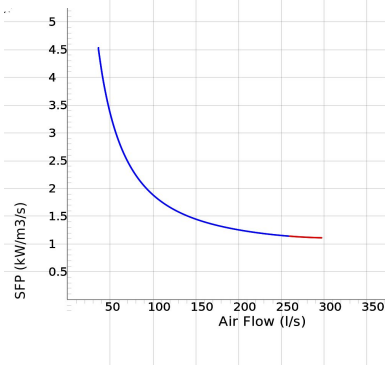
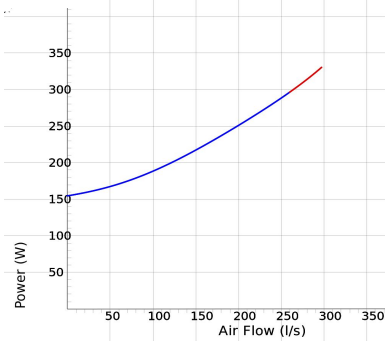
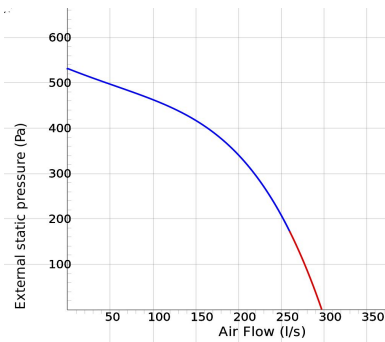
DFE 146-S2 ErP

DF

- Double inlet radial fan.
- High pressure, large air volumes and low sound levels.
- Impeller with forward curved blades.
- The external rotor motor has maintenance-free sealed ball-bearings.
- The motor is situated in the airstream to get ultimate cooling.
- Integrated motor protection.
- Can be ordered with junction box.
- For speed control a transformer or electronic speed controller can be connected.
- Fan housing is manufactured from galvanized sheet steel.
- Compact design for a minimum amount of space.
- Ideal for use in heat exchangers, dehumidifiers and air cleaners.

Accessories

- VRTE 3
- VRDE 3
- VRS 2.0



TECHNICAL DATA

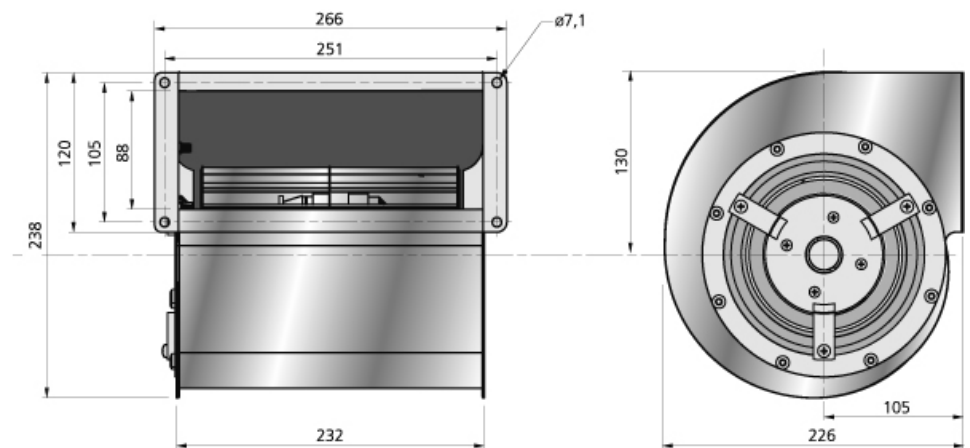
7700228
DFE 146-S2 ErP outdrawn tp

Voltage	230 V
Phase	1 ~
Frequency	50 Hz
Power	290 W
Current	1.3 A
Speed	1950 r.p.m.
Max. temperature of transported air	45 °C
Max. temperature of transported air when speed controlled	45 °C
Sound pressure level at 3 m	65 dB(A)
Weight	4.7 kg
Enclosure class	44 IP
Capacitor	12 µF
Max. flow	260 l/s
Max. pressure	541 Pa
Voltage range	220-240 V

SOUND DATA

	Flow (l/s)	L _{wa} tot dB (A)	63Hz	125Hz	250Hz	500Hz	1KHz	2KHz	4KHz	8KHz
0. Surrounding Lw dB(A) 230V	226	73	46	53	64	66	66	67	64	58
0. Outlet Lw dB(A) 230V	178	77	57	64	62	65	72	72	70	66

DIMENSIONS



Voltage steps

1
230V